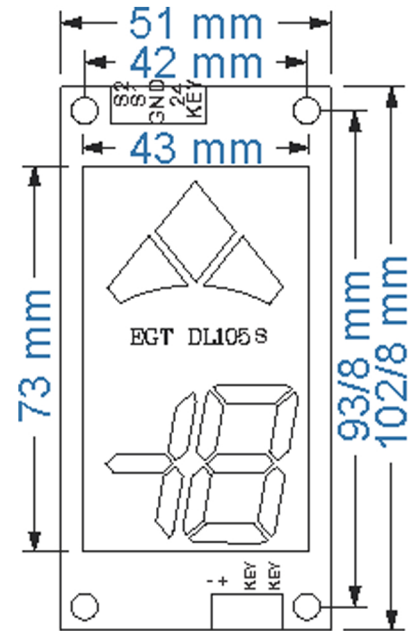


EGT DL105S LED Display



- Segment LED display/indicator
- Led color : white, red
- Signal Interface: Seven Segment
- Display masege: P9-P1 , b , P , L , -9-0 , 1-19
- Display status information
- Stand-by mode
- Input voltage:DC24V / 200 mA
- Dimensions : 103 x 51 x 8 mm



شرکت ایده گستران تازیک
Eideh Gostaran Tazik Co.

