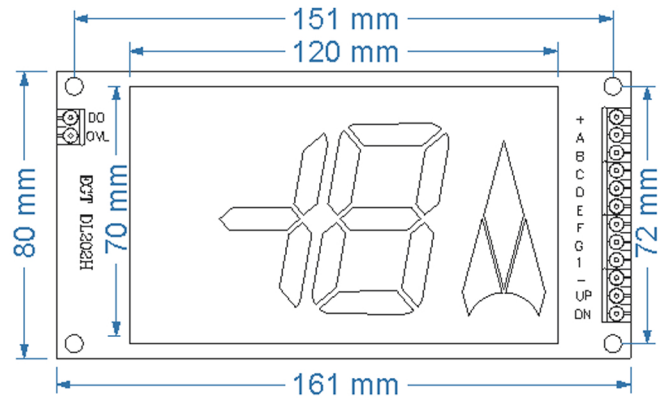


EGT DL202H LED Display



- Segment LED display/indicator
- Led color : white, red
- Signal Interface: Seven Segment
- Display masege: P9-P1 , b , P , L , -9-0 , 1-19
- Display status information
- Stand-by mode
- Input voltage:DC24V / 200 mA
- Dimensions : 161 x 80 x 17 mm



شرکت ایده گستران تازیک
Eideh Gostaraneh Tazik Co.

